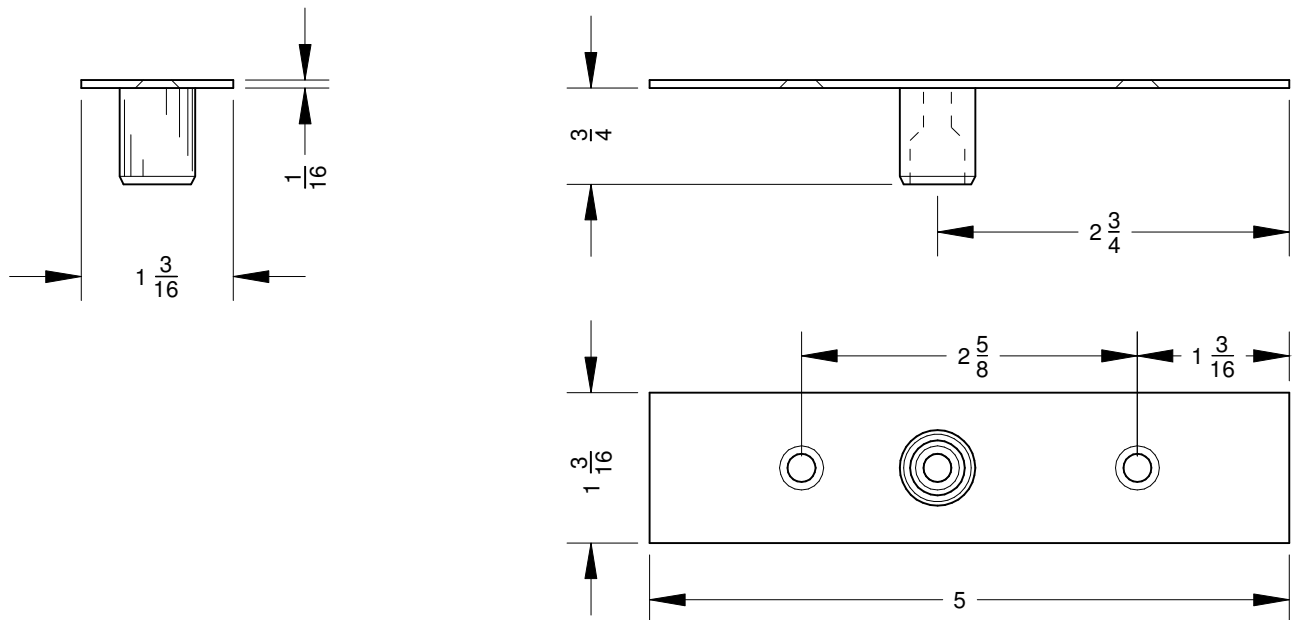


(A) - WALKING BEAM PIVOT



(B) - SURFACE MOUNTED TOP PIVOT